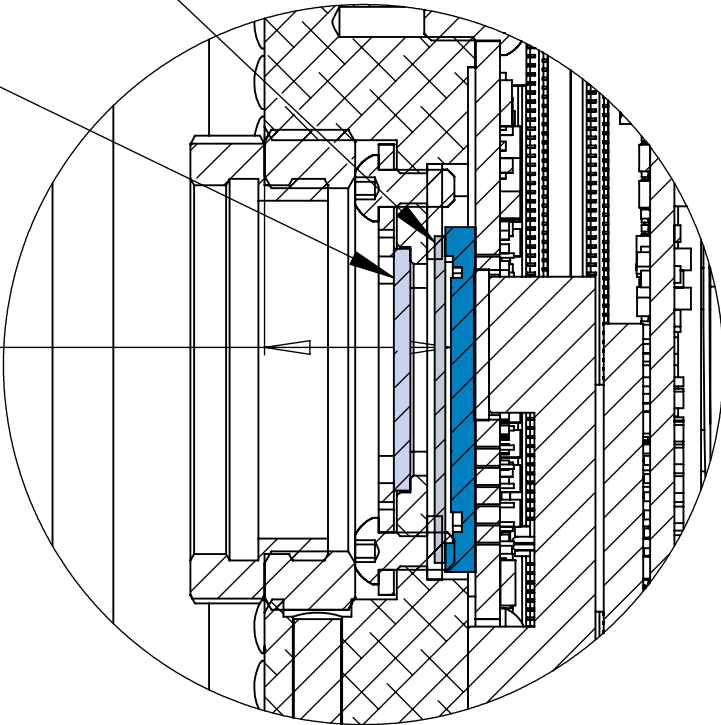
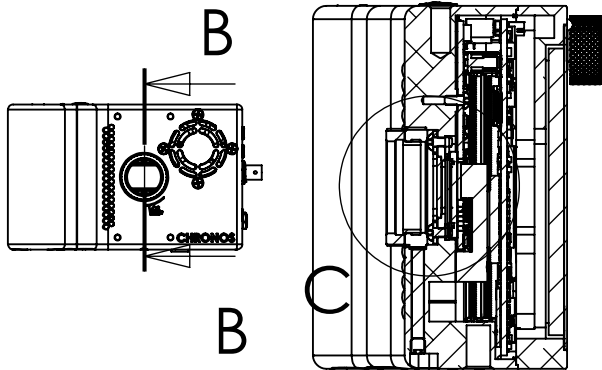


# DETAIL C SCALE 2 : 1

Sensor package cover glass 0.7mm  
IR Filter glass 1.1mm

Physical flange focal distance  
Optical flange focal distance (without IR filter)  
Optical flange focal distance (with IR filter)

12.330  
12.09  
11.714



## SECTION B-B SCALE 1 : 2

Glass reduces the effective flange focal distance due to refraction  
0.7mm package cover glass subtracts 0.24mm  
1.1mm IR filter glass subtracts 0.376mm

**PROPRIETARY AND CONFIDENTIAL**  
THE INFORMATION CONTAINED IN THIS DRAWING IS THE SOLE PROPERTY OF <INSERT COMPANY NAME HERE>. ANY REPRODUCTION IN PART OR AS A WHOLE WITHOUT THE WRITTEN PERMISSION OF <INSERT COMPANY NAME HERE> IS PROHIBITED.

		UNLESS OTHERWISE SPECIFIED:	NAME	DATE	TITLE: <b>Chronos 2.1-HD Flange Focal Distance</b>	
		DIMENSIONS ARE IN MM TOLERANCES: FRACTIONAL ± ANGULAR: MACH ± BEND ± TWO PLACE DECIMAL ± THREE PLACE DECIMAL ±	DRAWN			
		INTERPRET GEOMETRIC TOLERANCING PER:	CHECKED		SIZE DWG. NO. REV	
		MATERIAL	ENG APPR.			
NEXT ASSY	USED ON	FINISH	MFG APPR.		SCALE: 1:5 WEIGHT: SHEET 1 OF 1	
APPLICATION		DO NOT SCALE DRAWING	Q.A.			
			COMMENTS:			